

## OUTLINE H25



Kitchen Sinks

Code: 6625 000



### DETAILS

Edge/Installation Type

Rim h25 mm

Material

AISI 304 stainless steel

Texture

Brushed in line

Base

90 cm

Dimensions

880 x 518 mm

Standard fittings

Fixing hooks, gasket, drain, overflow and siphon, boxed packing

Mixer holes

2 standard holes - 3rd hole on request

Built-in hole

View technical data sheet

Drainer

No

Number of bowls 1 bowl

---

Waste fitting Drain with automatic control SPACE (PUSH)

---

## EQUIPMENT

8407 116 - Space Push  
automatic waste fitting  
8100 606 - Black grid  
8100 607 - Black grid

---

## FEATURES

Deep bowls This bowls reach an important depth, over 20 cm, thanks to the advanced production technology, that can be offer great capiciency and practicity in all the washing operations.

---

High thickness 1mm thick steel. A significant thickness, which guarantees the maximum sturdiness and durability.

---

Perimetral overflow The overflow is always a security on the Foster sinks that prevents the overflow of water in case of oversights. The perimeter drain solution improves aesthetics thanks to its square and essential shape.

---

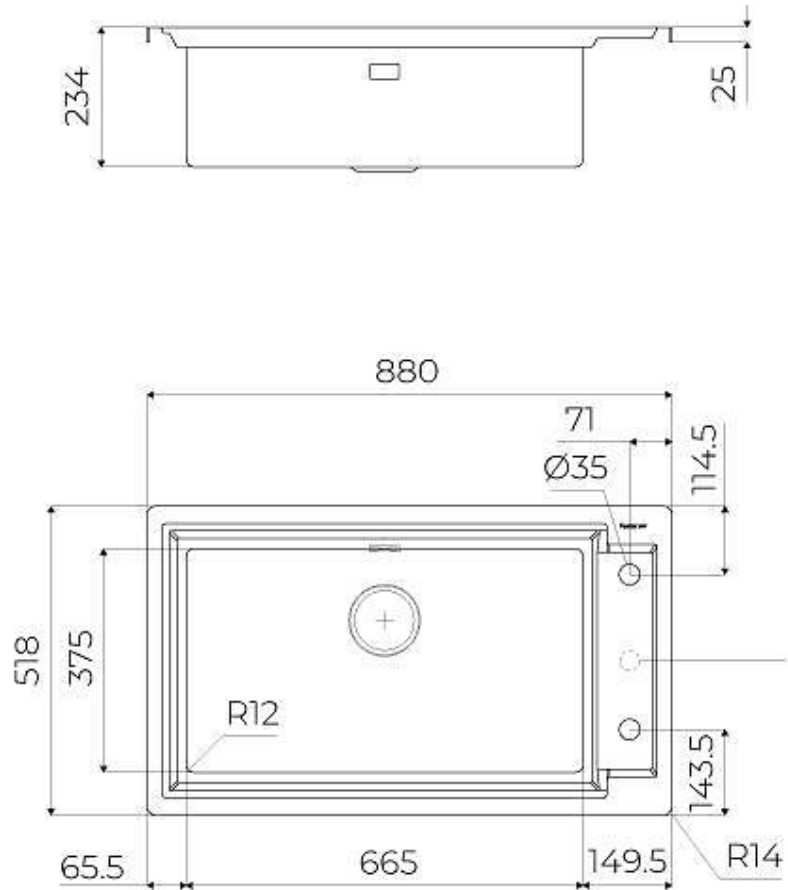
Small radius Bowls with squared shapes with a modern design and an increased capacity, for a minimal aesthetics connected with an extreme practicity.

---

Space waste fitting The elegant SPACE steel cap closes the drain and leaves no visible residues collected in the basket below. Space also has a small footprint and allows the optimal use of the under-sink compartment.

---

## TECHNICAL DATA





## GALLERY



## EQUIPMENT



**Black Grid**  
8100 606



**Black Grid**  
8100 607



**Space Push automatic waste fitting**  
- PP  
8407 116

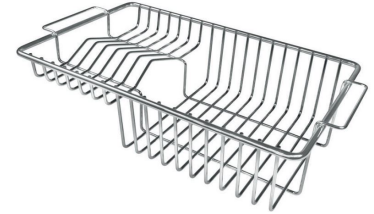
## OPTIONAL ACCESSORIES



**Stainless steel basket**  
8611 000



**Stainless steel perforated tray**  
8156 000



**Stainless steel Plate rack**  
8100 306

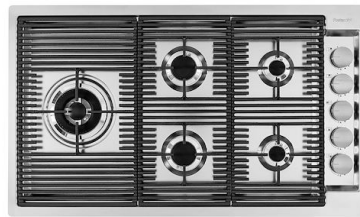


**Walnut-wood chopping board**  
8642 004

## RECOMMENDED PAIRINGS



**OP satin**  
8499 100



**OUTLINE GAS H25**  
7441 000